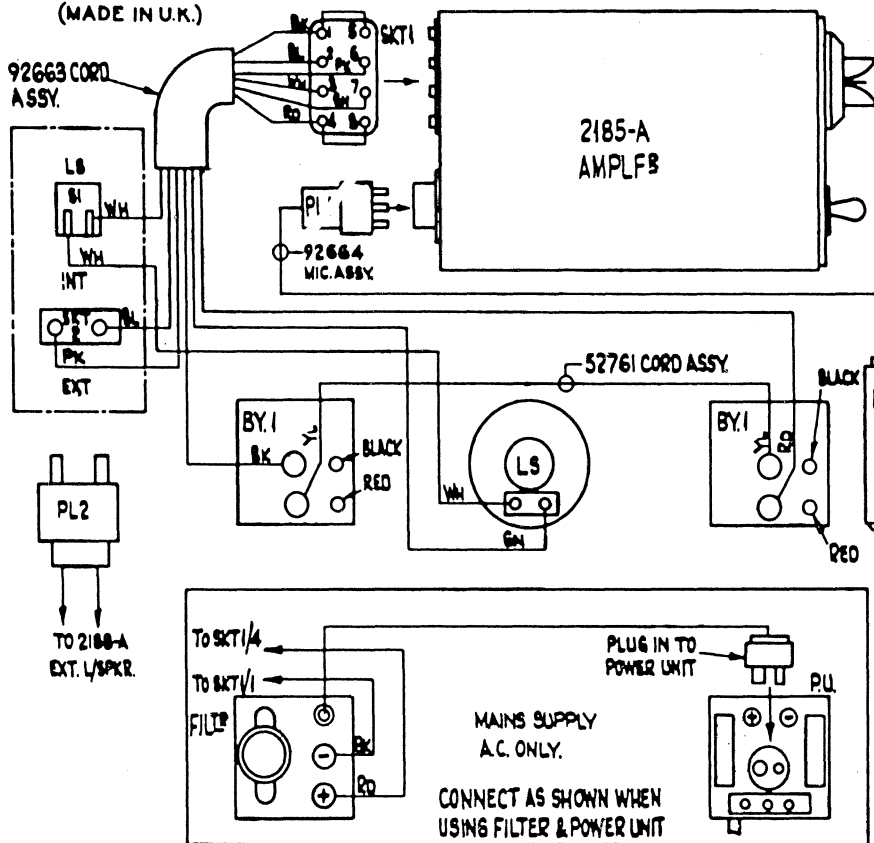
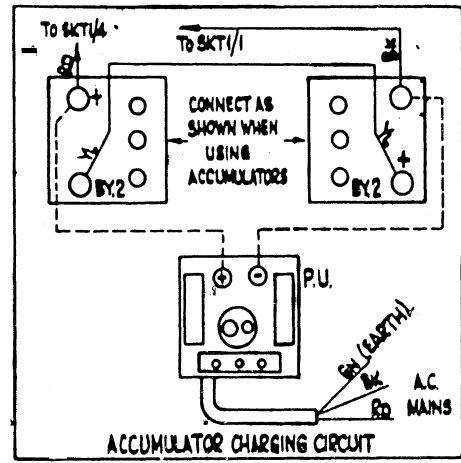


# T10. SCHEMATIC.

(MADE IN U.K.)



AMPLIF	2185-A	AMPLIFIER
BY.1	52762	BATTERY (EVER READY TYPE 996 IN L30-0597 BOX)
BY.2	52679	ACCUMULATOR (OXIDE TYPE B-EN5 6V.)
FILTB	32342-A	FILTER
LS	91672	LOUDSPEAKER
MIC	32330-A	MICROPHONE (PART OF 92664 MIC. ASSY.)
PL1	52307	PLUG BELLING LEE NO. L7307P (PART OF 92664 MIC. ASSY.)
PL2	LD-5888	PLUG BELLING LEE NO. L7334P (PART OF 2185-A, EXT. L/SPKR. ASSY.)
P.U.	32341-A	POWER UNIT
SI	LD-694	SWITCH
SKT1	62660	SOCKET ASSY. BELLING LEE TYPE L654/5 SOCKET & L654/CR. COVER)
SKT2	LD-5889	SOCKET, BELLING LEE TYPE L733/5



## POWER SUPPLY

**Dry Battery.** Fit two Ever Ready Type 996 lantern batteries into the boxes.

**Accumulator.** Remove the battery boxes. Fit two Exide 3-EN-5 6V unspillable accumulators, one each side.

**Charging.** Remove accumulators from case and unscrew filler caps.

**A.C. Mains.** Remove battery boxes. Fit the 32342-A Filter in the left hand side and the 32341-A Power Unit in the right hand side. Plug the filter cord into the socket on the Power Unit. Check the voltage adjuster. For 110-115 volts the internal strapping of the Power Unit must be changed. Refer to Power Unit drawing.

Before switching on, make sure that the power supply connections to the amplifier are as shown in the diagram. The Red lead must go to a Red or +VE terminal, and the Black lead to a Black or -VE terminal.

## LOUDSPEAKERS

**Internal.** The internal loudspeaker may be disconnected by switching the INT LS switch off (up).

**External.** With the amplifier set for working into 16Ω, one, or two speakers of 15-16Ω in parallel, may be connected by plugging into the EXT socket. If two external speakers are used, the internal speaker must be "off".

**Impedance.** The amplifier is normally set for 16Ω. It may be set for 4Ω or 8Ω by altering the connections inside the amplifier.

The internal speaker matching is not affected by these changes.

The total loudspeaker impedance should never be less than 8Ω on the 16Ω tap, 4Ω on the 8Ω tap or 2Ω on the 4Ω tap.

**IMPORTANT.** Before switching on, check the external circuits.

A SHORT CIRCUIT MAY DAMAGE THE TRANSISTORS.

## OPERATION

**Microphone.** The microphone may be switched on either by its press-to-talk switch, or by setting the switch on the amplifier to MIC ON. The required length of microphone cord can be unwound from the reel without disconnecting.

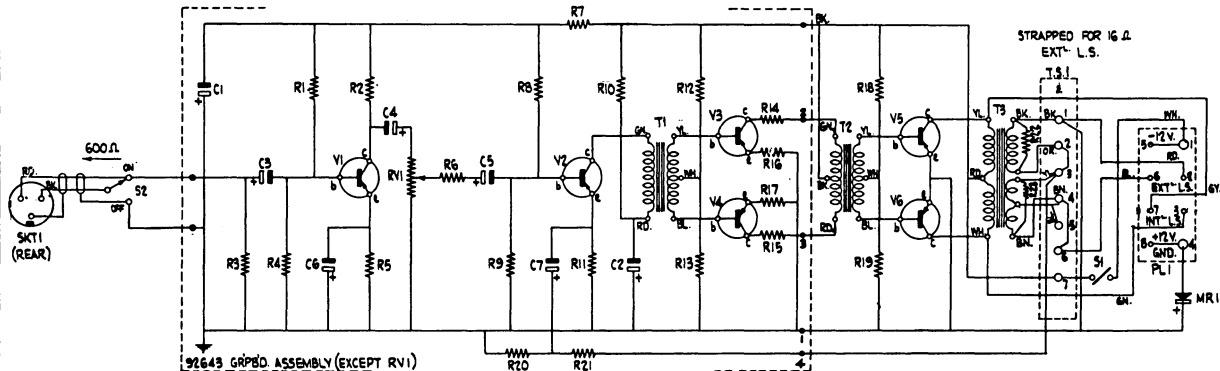
**Gain Control.** The power supply switch is combined with the Gain Control. The maximum setting of the Gain Control will depend on the relative position of the microphone and the loudspeakers. If the control is turned too high, acoustic feedback will occur.

The Gain Control should be turned to OFF when the amplifier is not being used.

WESTREX COMPANY LTD LONDON.

LSO-10604 ISSUE:

# 2185-A AMPLIFIER (10W.)



C1, 2	LD-6663	100 μF. -20% +100%	12 V. PK. WKG.	R12	LD-6779	10 KΩ ± 10%	T1	LD-6885	TRANSFORMER
C3, 4, 5	LD-6652	25 μF. -20% +100%	25 V. PK. WKG.	R13	---	100 Ω ± 10%	T2	LD-6886	---
C6, 7	LD-6654	100 μF. -20% +100%	6 V PK WKG.	R14, 15	---	330 Ω ± 10%	T3	LSL-10518	32315-A TRANSFORMER
MR1	LD-6966	RECTIFIER GEX 541		R16, 17	---	10 Ω ± 10%	V1		TRANSISTOR GET 6 m O.C.71
PL1	82B55	PLUG		R18	LD-6778	390 Ω ± 10%	V2		GET 4 m O.C.71
R1	LD-6524	270 KΩ ± 5%		R19	6B517	7 Ω ± 10%	V5, 6		V30/ZDP
R2, 3	---	10 KΩ ± 5%		R20	LD-6779	10 Ω ± 10%	* V3, 4		GET 4 m O.C.72
R4	---	27 KΩ ± 5%		R21	---	3.9 KΩ ± 10%			
R5	---	1 KΩ ± 5%		R22, 23	---	47 Ω ± 10%			
R6	LD-6779	22 KΩ ± 10%							
R7	---	2.2 KΩ ± 10%		RV1, S1	52678	POTENTIOMETER 50 KΩ LOG.			
R8	---	39 KΩ ± 10%		S2	LD-6914	SWITCH			
R9	---	10 KΩ ± 10%		SKT1	52306	SOCKET			
R10	---	470 Ω ± 10%							
R11	---	1 KΩ ± 10%							

NOTE - FOR 16 Ω IMPEDANCE STRAP 2-3, 4-6 (AS SHOWN)

--- 8 Ω --- 2-3, 5-6

--- 4 Ω --- 1-3, 2-4, 4-6

\* V3 & V4 MUST BE THE SAME TYPE